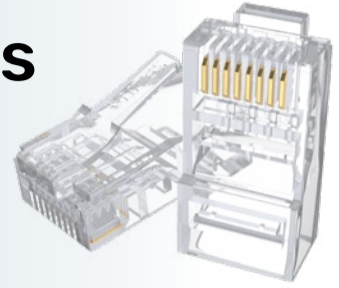


Y-OT18TP

Cat 5e RJ45 (8P8C) Modular Plugs

100-Pack per Box

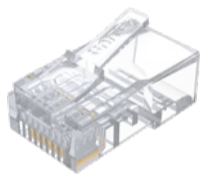
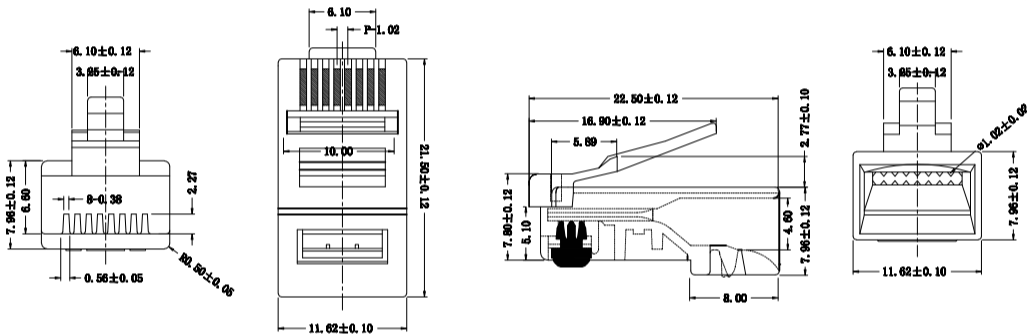


Products Features

- Combine gold-plated contacts (1μ)
- Clear, sturdy polycarbonate housing
- 3-point staggered contact



Go to the Website



Specifications

Electrial Test	250V AC max at 2 amps
	Dielectric with standing 500volts AC
Insulation Resistance	500 megaohms
Termination Resistance	35megaohms
Cable-to-Plug tensile strength	-20LBs(89N)min
Durability	500 mating cycles